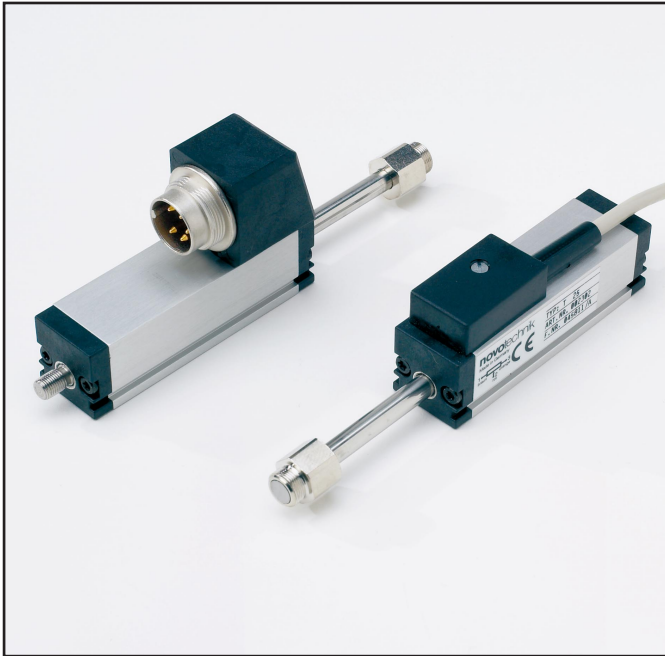


Position Transducers

25, 50, 75, 100, 150 mm

Series T
Series TS



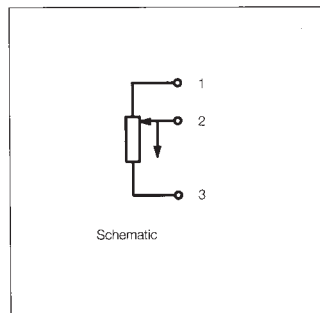
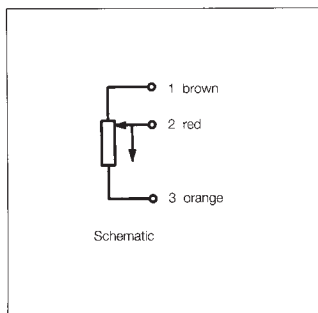
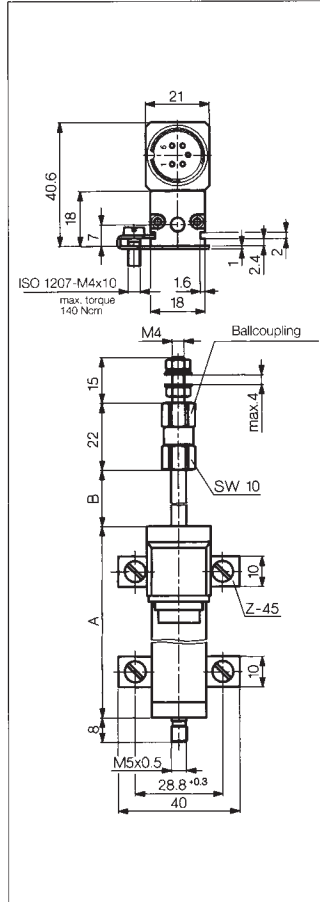
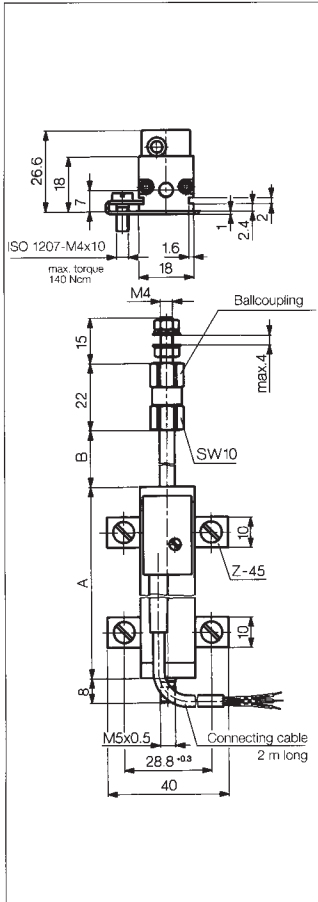
Special features

- long life - 100×10^6 operations
- outstanding linearity up to $\pm 0.075\%$
- actuating shaft with double bearing system
- special ball coupling eliminates sideways forces
- high operational speeds up to 10 m/s
- insensitive to shock and vibration
- choice of plug or cable connection

Position transducers employing conductive plastic resistance and collector tracks provide direct means of measurement in control and regulating systems and in instrumentation.

Using this type of transducer, problems traditionally associated with rotary potentiometers, especially reliability, life expectancy, accuracy and operational speed, are overcome. Thus opening up new fields of application in direct position measurement.

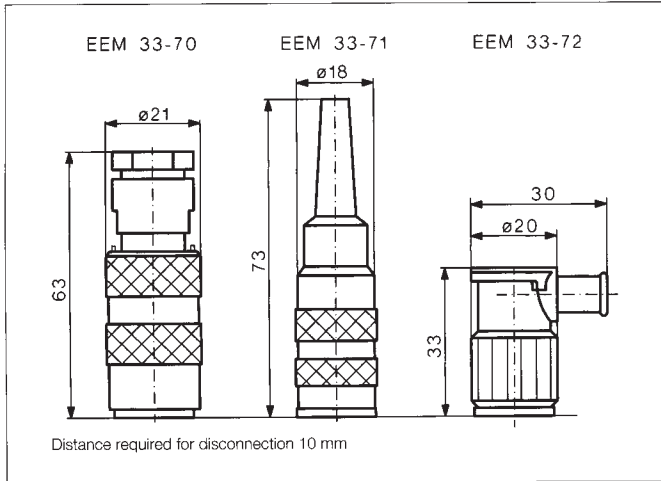
A ball coupling (which may be fitted to either end of the shaft) offers backlash-free operation even where there are parallel or angular errors between the transducer axis and the direction of movement. The elastomer-damped, independently sprung precious metal multi-finger wiper has been designed to provide a reliable contact even at high speeds or when experiencing shock or vibration.



Description

Housing	aluminium, anodized
Actuating shaft	stainless steel
Bearings	both ends in DU sleeves
Fixings	adjustable clamps
Ball coupling	stainless steel with a hardened ball sprung against a hardened plate surface
Resistance element	conductive-plastic
Wiper assembly	precious metal multi-finger wiper, elastomer-damped
Electrical connections	3core stress-relieved shielded cable, 2 m
series T	plug connector
series TS	

Type designations	T25 TS25	T50 TS50	T75 TS75	T100 TS100	T150 TS150	with cable with plug
Electrical Data						
Defined electrical range	25	50	75	100	150	mm
Nominal resistance	1	5	5	5	5	kΩ
Resistance tolerance	20					±%
Independent linearity	0.2	0.15	0.1	0.075	0.075	±%
Repeatability	0.002					mm
Recommended operating wiper current	< 1					μA
Max. wiper current in case of malfunction	10					mA
Max. permissible applied voltage	42					V
Effective temperature coefficient of the output-to-applied voltage ratio	typical 5					ppm/°C
Insulation resistance (500 VDC, 1 bar, 2 s)	≥10					MΩ
Dielectric strength (50 Hz, 2 s, 1 bar, 500 VAC)	≤100					μA
Mechanical Data						
Length housing (dimension A)	63	88	113	138	188	+1 mm
Mechanical stroke (dimension B)	30	55	80	105	155	±1,5 mm
Weight with cable	140	160	170	190	220	g
Weight with plug	86	107	132	150	190	g
Weight of the actuating shaft, with coupling and wiper block	35	43	52	58	74	g
Operating force (horizontal)	≤0.30					N
Compensation available from ball coupling	±1 mm parallel offset, ±2.5° angular offset					
Maximum permitted torque for fixing screws (with washer)	140					Ncm
Environmental Data						
Temperature range	-30... +100		°C			
Vibration	5... 2000 A _{max} = 0.75 a _{max} = 20		Hz mm g			
Shock	50 11		g ms			
Life	>100 x 10 ⁶		operations			
Protection class	IP 40 (DIN 400 50 / IEC 529)					



Included in delivery

2 fixing clamps Z-45 incl.
4 screws M4x10,
1 ball coupling

Recommended accessories

Plug type EEM 33-70
protection class IP 65,
Plug type EEM 33-71
protection class IP 40,
Plug type EEM 33-72
protection class IP 63,
Process-controlled indicators
MAP... with display,
Signal conditioner
MUP... /MUK ... for
standardized output signals.

Important

All the values given in this data sheet for linearity, lifetime, micro-linearity, resistance to external disturbances and temperature coefficient in the voltage dividing mode are quoted for the device operating with the wiper voltage driving on operational amplifier working as a voltage follower, where virtually no load is applied to the wiper ($I_e \leq 1 \mu A$).

Order designations

Type	Art.no.
T 25	002302
TS 25	002332
T 50	002303
TS 50	002333
T 75	002304
TS 75	002334
T 100	002305
TS 100	002335
T 150	002306
TS 150	002336

novotechnik
Siedle Group

Novotechnik U.S., Inc.
Transducers
155 Northboro Road
Southborough, MA 01772
Telephone: (508) 485-2244
Fax: (508) 485-2430
Email: info@novotechnik.com

Subject to changes