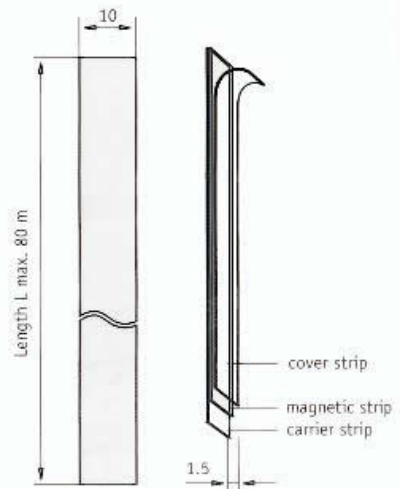
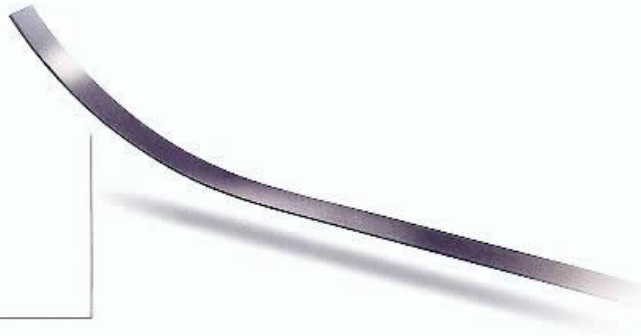


Magnetic Strips **STB**

The magnetic strip consists of a magnetic tape magnetized at regular distances and firmly joined to the carrier strip. For fixing a special adhesive tape is pre-mounted. An additional stainless steel cover strip is also included as standard.



Features:

- easy mounting by adhesive strip
- insensitive to humidity, liquids and oil
- insensitive to dust, shavings ...

Attention! For correct measurement the magnetic strip should overlap the actual measuring distance by approx. 100 mm.

Feature	Ordering data				Technical data				Additional information
Magnetic strip type	MB	MB5	MB200	MB320	MB	MB5	MB200	MB320	
Width				10 5	•	-	•	•	10 mm standard 5 mm
Precision class	0.1 0.05	0.1	0.05	0.1	•	•	•	•	standard with MB5
Length					in meter (max. 80 m)
Thickness					•	•	•	•	1.5 mm
Pole pitch					5	5	2	3.2	in mm
Temperature coefficient					•	•	•	•	$(11 \pm 1) \times 10^{-4} / K$
Cover strip material					•	•	•	•	stainless steel
Working temperature					•	•	•	•	-20 ... +70 °C
Storage temperature					•	•	•	•	-40 ... +70 °C

Ordering example: - - - type MB: precision class 0.1; length in meters; (features A and B depend on type)

Ordering example: **STB320** - - - type MB320; width 10 mm; length in meters; (features A and B depend on type)

Your ordering data: - - -