

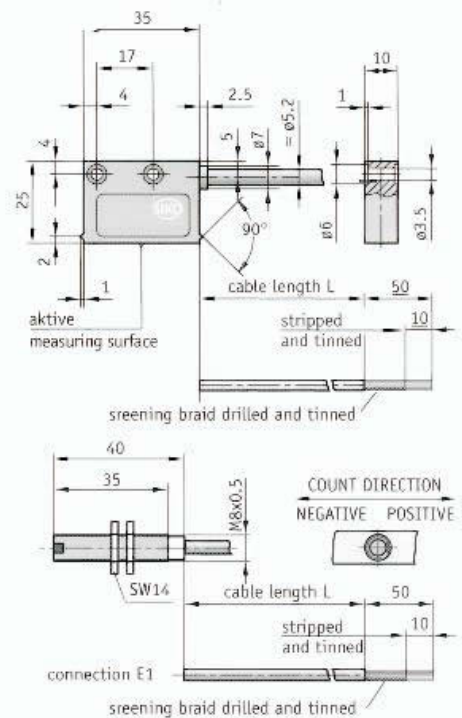
Magnetic Sensor STK320

As a component of a robust magnetic measuring system, this sensor with integrated translation module has a direct digital signal output. In combination with the MB320 magnetic band, the sensor forms an open, robust and linear measuring system.



Features:

- easy mounting, two versions
- insensitive to dust, shavings, humidity
- max. resolution 0.1 mm, system accuracy ± 0.1 mm
- real-time data processing
- protection class IP67
- resolution set by manufacturer



Feature	Ordering data	Technical data	Additional information
Supply voltage	4 5	24 V DC ± 20 % 5 V DC ± 5 %	standard, with polarity protection
Design	A F	rectangle round design	standard
Connection/cable length	E1/2.0 E6, E8	2 m cable, flying leads E6, circular plug	standard (cable max. 20 m) E8, D-SUB 9-pin
Output circuit	PP LD TTL	push pull line driver	standard only if output circuit is not inverted
Output signal	NI I	not inverted inverted	standard
Reference signal	OR I	without index periodical	standard
Resolution	0.1	0.1 mm	standard, options 0.2 / 0.4 / 0.8
Power consumption		max. 50 mA	@ 24 V DC unloaded
Output signals		A, B A, /A, B, /B und A, /A, B, /B, I, /I	square signal only design A, square signal
Gap magnetic strip / sensor		0.1 - 2.0 mm	lateral offset ± 1 mm, angle offset $\pm 3^\circ$
System accuracy		$\pm (0.1 + 0.03 \times L)$ mm, L in mm	repeat accuracy ± 1 increment
Travel speed		max. 25 m/s	
Interference protection class		3, according to IEC 801	humidity: 100 % rF, condensation permissible
Temperature ranges		working temperature: $-10^\circ \dots +70^\circ \text{C}$	storage temperature: $-30 \dots +80^\circ \text{C}$
Protection class		IP67 according to DIN 40050 (housing)	test mark CE
Housing		rectangular housing, red plastic	round housing, steel
Cable		PUR	

Ordering example: **STK320** - 4 - A - E1/2.0 - PP - NI - OR - 0.1 24 V DC, rectangular housing, 2 m cable, flying leads, output circuit PP, without reference signal, resolution 0.1 mm

Your ordering data **STK320** - - - - - - - - standard version (cross when YES)